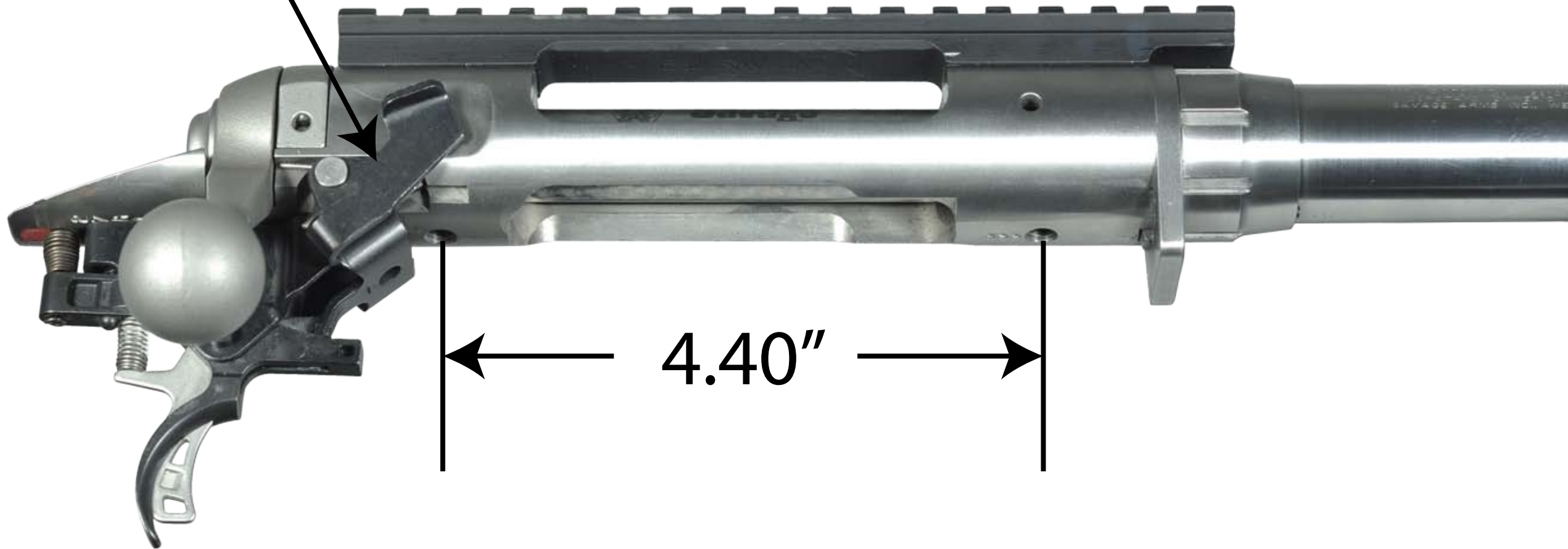


Bolt Catch Located Here



4.40"