



# JP ENTERPRISES

## GEN 2 SILENT CAPTURED SPRING

US Patent Number 8,800,424

Product:  
JPSCS2-15,  
JPSCS2-10  
Page: 1/2

### PARTS INCLUDED

- Silent Captured Spring
- Rifle-length spacer
- Spacer shim

**CAUTION: REMOVE THE MAGAZINE AND VISUALLY CHECK THE CHAMBER TO ENSURE THAT YOUR FIREARM IS UNLOADED.**

The **JP Silent Captured Spring** is a drop-in module replacement for the traditional buffer and buffer spring components of the AR-15 and AR-10 platforms. By all but eliminating the raspy scraping of the buffer spring against the interior of the extension tube, the JPSCS yields a virtually silent cycling action with a dramatic reduction in friction and vibration during live fire.

While the JPSCS has been tested in numerous rifles without malfunction, this is no guarantee of function in all possible rifle configurations. **If you're unsure about compatibility, see the SCS Selection Guide on our website for known issues before live fire.** If the unit does not function in your rifle, please contact JP via phone or email to arrange a return of the JPSCS to the original point of sale.

If you find that you are experiencing bolt bounce issues, we recommend upgrading one or all of the steel masses to tungsten. The SCS comes in two standard configurations: one with all steel masses that equates to a standard carbine buffer and another with two tungsten masses and one steel that is equivalent to an H2 carbine buffer. You can also purchase individual tungsten masses to achieve any level of buffering mass you require.

## INSTALLATION INSTRUCTIONS

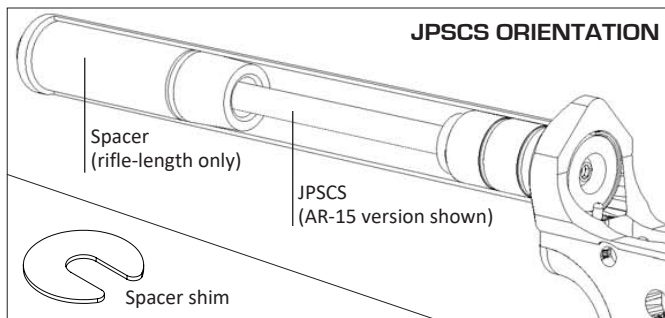
1. Remove the existing buffer and spring by slightly compressing the buffer and then the buffer retainer plunger with a small punch. Release the buffer slowly, removing it and the buffer spring from the extension tube.
2. If you are using a rifle-length stock and extension tube, insert the white spacer into the extension tube. This spacer is not needed for carbine stocks/tubes.

## REMOVAL OF BUFFER RETAINER PLUNGER AND SPRING

While the JPSCS will function with or without them, you can remove the buffer retainer plunger and spring at this point. With these components removed, installation and removal of the JPSCS is much easier, though be aware the traditional buffer and spring components will be cumbersome to use without the retainer and plunger.

To remove the retainer plunger and spring, you'll first need to remove the stock and buffer tube from the receiver to gain access, after which you can reinstall the extension tube and stock taking care not to lose or damage the rear takedown pin detent and spring.

3. Install the JP Silent Captured Spring into the buffer tube oriented as shown. You may have to depress the hammer to the cocked position or a little further to allow enough clearance around the trigger components.



Likewise, on certain two-stage triggers, you will have to hold the hammer in the half-cocked position to achieve sufficient clearance.

4. Reassemble the upper and lower assemblies with the front pivot pin and slowly lower the upper into position. **Watch carefully as the receivers are closed to verify that the SCS buffer head contacts the bolt carrier.** If you are not certain if there is a gap, finish reassembling the rifle and then shake it back and forth gently listening for the sound of the SCS sliding back and forth in the buffer tube. The unit should not be moving freely.

## FITMENT

The precise length of the SCS was chosen to accommodate most rifles, but if you detect a gap between the bolt carrier and SCS, this is due to slight variations in the manufacturing tolerances of the buffer tube, bolt carrier and receivers. The bolt carrier and SCS should be tensioned slightly against each other in final assembly and should not move freely in the rifle.

The SCS should protrude about .030", which is the width of the included spacer shim. If it does not protrude this far, insert the spacer shim behind the SCS in the buffer tube. It will not be necessary to use more than one, and you should not use extra shimming to "preload" the SCS. We offer alternate rate springs for this purpose.

If the SCS protrudes past .060" inches or so (the approximate width of a quarter), thread the buffer tube out one turn and recheck protrusion and add the spacer shim if necessary.

## MAINTENANCE

Keep the spring, guide rod and exterior of the unit lightly oiled. If the unit becomes fouled, clean with hot, soapy water, blow dry with compressed air and apply light oil (rather than grease) to the spring and guide rod. Do not clean the SCS with solvents or solvent-based cleaners. These will dry out and degrade the rubber o-rings, reducing their life expectancy.

During regular rifle maintenance, check the tightness of the hex head screws at the ends of the JPSCS. If they are loose, remove them and clean the threads. The rear screw should be installed with a permanent thread locker such as Loctite® 263. The front flange screw is better secured with a semi-permanent thread locker like Loctite® 243.

**THANKS FOR YOUR BUSINESS!**