



### PARTS INCLUDED

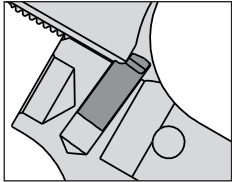
- Silent Captured Spring
- SCS buffer retainer/spring
- Bolt carrier extension
- Two (2) spacer shims

**CAUTION: REMOVE THE MAGAZINE AND VISUALLY CHECK THE CHAMBER TO ENSURE THAT YOUR FIREARM IS UNLOADED.**

This SCS adapter kit enables secure, reliable use of our Silent Captured spring with the Law Tactical folding stock adapter. This package includes a variant SCS unit and all the subcomponents required for use with the Law adapter. Below, you will find installation instructions to accompany a new installation of a Law Tactical adaptor or replacement of the existing buffer components in your rifle with a Law Tactical adapter.

After continued use of these parts, you may notice surface wear on the Silent Captured Spring unit where it contacts the bolt carrier extension. This is normal cosmetic wear to the anodizing and will not affect the function or reliability of the system.

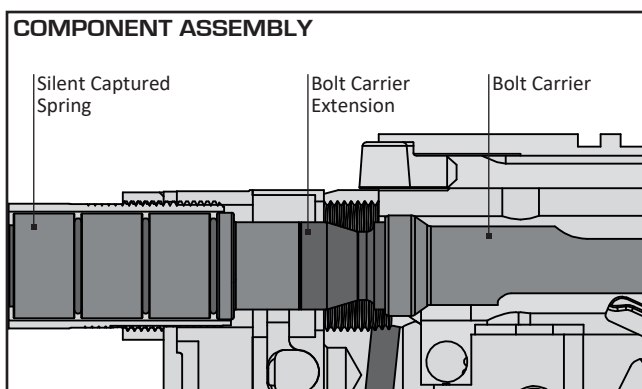
### INSTALLATION INSTRUCTIONS: NEW LAW FOLDER INSTALL

1. Install Law Tactical folder according to the included directions until you reach the buffer tube installation.
2. Thread the buffer tube into the LAW folder and insert the JP Buffer Retainer Pin and spring as shown. The protruding fin should run parallel with the length of the rifle. The lower notch of the pin should rest under the lip of the buffer tube. The buffer tube should thread in far enough to retain the buffer retainer pin while allowing it to move freely when depressed. 
3. Insert the SCS into the buffer tube so that it clicks past the buffer retainer pin just as you would with a Mil-Spec buffer and spring.
4. Once installed, the SCS should be retained securely between the buffer retainer pin and the rear of the buffer tube with some slight pre-compression of the SCS spring itself. If this is not the case and there is free back-and-forth movement of the SCS in the buffer tube, this must be remedied before continuing with the installation.

If the SCS moves freely in the buffer tube, begin by attempting another full rotation of the buffer tube. If this is not possible, then the SCS must be shimmed. Depress the

buffer retainer pin, and remove the SCS unit. Insert one of the included shims and test for movement again. If there is still movement, insert the second shim. If this still does not remedy the free movement, your buffer tube is likely out of spec. Always use the least amount of shimming possible.

5. Reattach your upper receiver and secure it by pressing in the takedown pins.
6. Fold the stock and insert the bolt carrier extension into the rear of the bolt carrier.
7. Close the stock and test function. Pull the charging handle to the rear to verify that the operating system cycles without obstruction. Then, ensure the bolt catch stops the bolt carrier group.



## INSTALLATION INSTRUCTIONS: EXISTING LAW FOLDER

1. Depress the buffer retainer pin and remove the current buffer and spring.
2. **While wearing eye protection**, back out the buffer tube and remove the Mil-Spec buffer retainer pin. **Keep a finger on the buffer retainer pin while you remove the buffer tube. The pin is under tension and will eject once no longer retained by the buffer tube.**
3. Install the JP Buffer Retainer Pin and reinstall the buffer tube. Follow steps 2-5 above.
4. Remove the original bolt carrier extension and replace it with the supplied JP extension.
5. Close the stock and test the function. Pull the charging handle to the rear to verify that the operating system cycles without obstruction. Then, ensure the bolt catch stops the bolt carrier group.

**THANKS FOR YOUR BUSINESS!**