

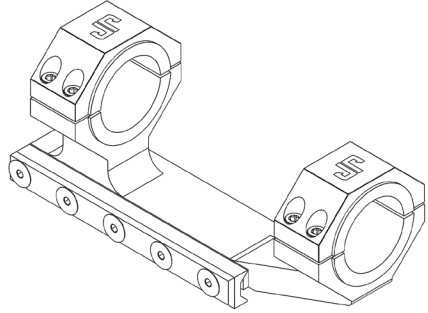


## 30MM/1" FLAT-TOP SCOPE MOUNTS

- JPFTSM-30/1 (Standard)
- JPFTSM-30/1E (Extended)

### PARTS INCLUDED

- Lower mount saddle
- Mounting clamp plate
- Two (2) upper strap pieces
- Five (5) 8-32 x 1¼" flat head screws
- Eight (12) 6-32 x ½" socket head cap screws
- T10 Torx key
- T20 hex key



**CAUTION: REMOVE MAGAZINE AND VISUALLY CHECK CHAMBER TO MAKE SURE THAT FIREARM IS UNLOADED.**

Before installing this mount, be aware that some receiver rails fall significantly outside the specifications for MIL-STD-1913 rail and may not accept this mount without modification.

1. Position the scope mount body on your receiver rail. If the recoil lug does not rest into the rail without force, your rail is not within spec. The recoil lug may have to be modified to make the mount compatible with your receiver.
2. Insert all five of the clamp plate mounting screws through the clamp bar and begin threading each into the holes of the mount body using the supplied T20 Torx wrench. Note the orientation of the clamp bar as it is not symmetrical.
3. Secure the mount to the rail starting with the center screw and proceeding outward to secure the four remaining screws. Tighten each screw partially to a uniform torque of 30 inch-lbs. There is no need for a thread locker, but you may use Loctite® 242 if you do not intend to remove it on a regular basis.
4. Place the optic in the lower saddle with the upper straps on top of it. Engage all eight socket head screws, but do not tighten them. If you have a 1-inch diameter scope, make sure to position two halves of the included adapter pieces onto the scope rings before inserting the scope. The remaining adapter halves should then be positioned in the upper strap pieces to form a ring that decreases the mount's effective diameter to accommodate a 1-inch scope tube. See the diagram below.

Typically, when inserting the scope within the mount rings, the best mounting position locates the scope as far forward as possible. Take this time to position and level your optic as appropriate.

5. With the scope positioned and level, start tightening the socket head screws with the T10 Torx wrench. Make sure to keep the gaps uniform on both sides of the mount so that the strap tightens evenly and remains level. Tighten the screws snugly according to the order indicated in below. The final torque should be 12-15 inch-pounds unless the manufacturer of your scope advises otherwise.

As a final precaution, we also recommend the use of Loctite® 242 or equivalent (available from JP or at your local hardware store) on the top strap retaining screws and to prevent loosening from the vibration of live fire.

As illustrated below, this scope mount can be equipped with our **JPoint Microelectronic sight** via a piggyback mounting setup. In the case of our 30mm/1" mounts, either of the top straps of the mount can be replaced with our JPA-SM30/1C mount with the JPoint sight mounted with the included hardware included.

**THANKS FOR YOUR BUSINESS!**

