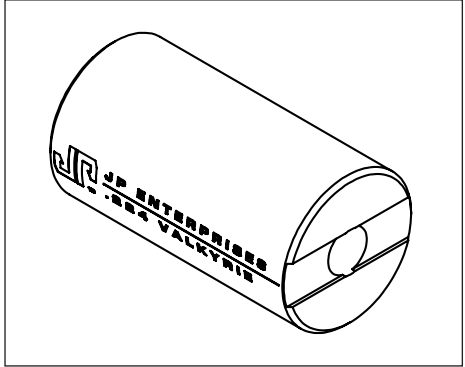




SEMI-AUTO CASE GAUGE

.224 VALKYRIE

The JP Semi-Auto Case Gauge is cut with a .224 Valkyrie chamber finishing reamer identical to the reamers used for our barrels. This means our gauges give a reliable check of ammunition used in rifles chambered .224 Valkyrie. If you have a JP rifle or rifle equipped with a JP Supermatch™ barrel, this gauge will ensure reliable function.

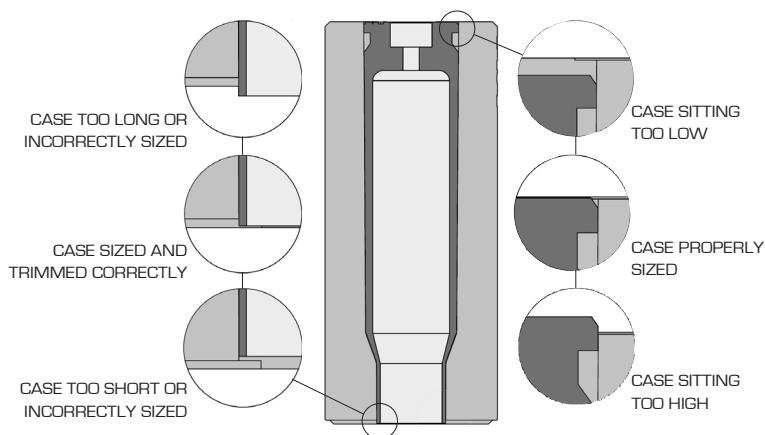


Oversized ammunition is the biggest cause of failures in self-loading rifles such as the AR-15, so verifying that your ammunition is properly sized is imperative. While oversized cases can be forced into a bolt gun thanks to the tremendous leverage potential of the bolt in the action, a cartridge must fit freely into the chamber of a self-loader for safe, reliable function. Specifically, the ammunition must be sized well enough to allow extraction of an unfired round. If your ammunition is just slightly out of spec, it may go into battery with the forward kinetic energy of the bolt and carrier, but once wedged in the chamber, may not allow for extraction of the unfired cartridge when unloading.

Most case gauges indicate SAAMI maximum and minimum case head space, which still allows for a possible interference between a max. cartridge and a minimum allowable chamber. This would not be an issue in a bolt gun but will bring everything to a stop in a self-loader. Taking this into account, our gauge ensures that the maximum cartridge as indicated by the gauge is still within the minimum SAAMI allowable chamber. In other words, if your ammunition passes our gauge, it absolutely will fit the chamber.

CASE GAUGE USE

To use your case gauge, insert your round completely into the gauge. The cartridge should come to rest at a point such that it is neither sitting higher than the high point of the outer rim nor below the lowest point of the channel cut through the middle of the gauge. This is your headspace and body size check. If your cartridge falls outside of this range, the case is not sized correctly. If your ammunition fails this check, determine whether this interference is due to body size or case shoulder position. This will affect how you can remedy the issue.



You can also verify headspace by checking protrusion on the bullet end when the gauge is stood upright on the case rim end on a flat surface. Here, the lip of the cartridge should come to rest between the outer rim and central channel. If it does not, it is either too long/short or sized incorrectly.

Every chamber will be slightly different, so you must familiarize yourself with the peculiarities of your rifle. This case gauge is intended to give a true chamber indication on a JP Supermatch™ barrel, so it is possible that ammo that does not pass with this case gauge may still go into battery and extract in your rifle without a problem. If you find a round that will not extract from your rifle, insert that round and observe how it fits the gauge. For practice ammo, you can afford to be less particular. For the match ammo that will be used in actual competition or any other critical purpose, the cartridge should gauge cleanly. Also, make sure that your overall length is such that the lands are not indicated on the projectile. That is a loading technique best left for bolt guns. There should be no marks from the lands on the projectile of an extracted round intended for use in a self-loader.

If none of your reloaded ammunition fits in this gauge, it may indicate that your sizing die is not adequate or that the die/shell holder relationship on your press needs to be reset. We recommend a Dillon carbide full-length .224 Valkyrie die. For more information on loading for gas-operated rifles, refer to our Loading Document available on our website and watch our *GasGunBasics™* presentation available on our YouTube channel: www.youtube.com/jprifles.

THANKS FOR YOUR BUSINESS!