



## JP BAG RIDER

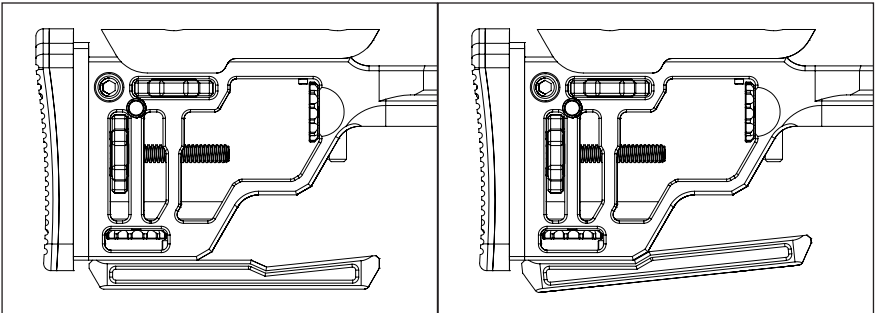
FOR APAC™ CHASSIS AND MR-19™ RIFLE

**CAUTION: REMOVE MAGAZINE AND VISUALLY CHECK CHAMBER TO ENSURE THAT FIREARM IS UNLOADED.**

---

The **JP Bag Rider** attaches easily to buttstock of the APAC chassis as shown below. It can be mounted horizontally parallel with the bore axis or at an angle for quick, precise elevation adjustments.

Apply Loctite® Blue 242 (or equivalent) to the included screws when installing and tighten to 32 in-lbs.



**THANKS FOR YOUR BUSINESS!**