

J P ENTERPRISES

BENCHREST FOREARM ADAPTOR

PARTS INCLUDED

- Benchrest adapter
- Two (2) 8-32 x 1 $\frac{3}{4}$ " bolts
- Two (2) 8-32 hex nuts
- Six (6) 10-32 x $\frac{1}{2}$ " button socket cap screws

Precision benchrest shooting requires a stable mounting surface. Great as they are to grip, a round hand guard just can't do this as well as a large flat surface. Enter the **JP Benchrest Forearm Adaptor**.

This hand guard accessory can attach in one of two ways:

Mounting to JP Hand Guards: Install the 10-32 button socket screws through the bottom of the adaptor directly into the corresponding holes at the 6:00 position of the tube.

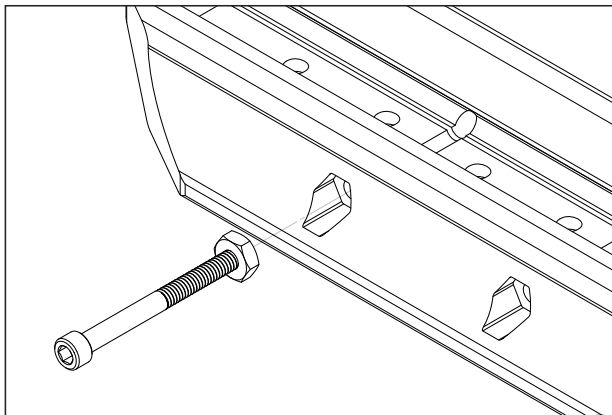
Mounting to a 6:00 rail: The BFA will mount to any 6:00 rail with an open end onto which the adaptor can slide. Insert the included hex nuts into the corresponding cavities by first threading one nut onto a 8-32 bolt and pressing it into place while assuring that it is squarely inserted. See diagram on reverse.

Visit us at www.jp Rifles.com

Rev. 06.16

P.O. Box 378, HUGO, MN 55038 | VOICE: 651-426-9196 | FAX: 651-426-2472

Insert both nuts in this way. Then, unthread the bolts and insert them from the other side once the adaptor is positioned as desired. Insert the bolts through the adapter, and thread into the nuts. Tension to retain position. Do not torque above 18 in-lbs.



For rail mounting of the Benchrest Forearm Adapter, position the hex nuts using the bolt as shown.

Seating the nuts first will make threading the bolts easier during mounting.