

J P E N T E R P R I S E S

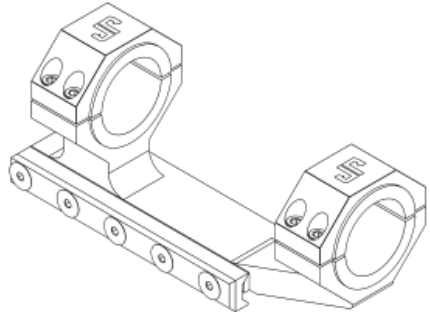
**JP DETACHABLE SCOPE MOUNTS
FOR LOW RAIL RECEIVERS**

Product:
JPFTSM-30/1
JPFTSM-30/1E

Page: 1/2

PARTS INCLUDED

- Lower mount saddle
- Mounting clamp plate
- Two (2) upper strap pieces
- Five (5) 8-32 x 1¼" flat head screws
- Eight (12) 6-32 x ½" socket head cap screws
- T15 Torx key
- T20 hex key



CAUTION: REMOVE MAGAZINE AND VISUALLY CHECK CHAMBER TO MAKE SURE THAT FIREARM IS UNLOADED.

Before attempting to install this mount, be aware that some receiver rails fall significantly outside the specifications for MIL-STD-1913 rail and may not accept this mount without modification.

Begin by loosening all five of the clamp plate mounting screws with using the supplied T20 Torx wrench to allow the mount to settle onto the rail. If the recoil lug does not rest into the rail without force, your rail is not within spec, and the recoil lug may have to be modified to make the mount compatible with your receiver.

Secure the mount to the rail starting with the center screw and proceeding outward to secure the four remaining screws. Tighten each screw partially until a uniform torque of 29 inch-lbs. is achieved. There is no need for a thread locker, but you may use Loctite® 242 if you want a semi-permanent installation for your optical system and do not intend to remove it on a regular basis.

Now, using the T15 Torx key, remove all eight upper strap screws. Place the optic in the lower saddle and replace the upper straps. Engage all eight socket head screws, but do not tighten them. If you have a 1-inch diameter scope, make sure to position two halves of the included adapter pieces onto the scope rings before inserting the scope. The remaining adapter halves should then be positioned in the upper strap pieces such that the adapters form a ring that decreases the mount's effective diameter to accommodate a 1-inch scope tube. See the diagram below.

Visit us at www.jp Rifles.com

Rev. 07.15

P.O. Box 378, HUGO, MN 55038 • VOICE: 651-426-9196 • FAX: 651-426-2472

Typically, when positioning the scope within the rings, the best mounting position locates the scope as far forward as possible. With the scope positioned and level, start tightening the socket head screws making sure to keep the gaps uniform on both sides of the mount so that the strap tightens evenly and remains level. As the screws become snug, continue to tighten each in a cross pattern as indicated in the diagram below until they are uniformly tensioned to 12-15 inch-lbs. unless the manufacturer of your scope advises otherwise. As a final precaution, we also recommend the use of Loctite® 242 or equivalent (available from JP or at your local hardware store) on the top strap retaining screws to prevent loosening from the vibration of live fire.

As illustrated below, our scope mounts can be equipped with our JPoint Microelectronic sight via a piggyback mounting setup. In the case of our 30mm/1" mounts, either of the top straps of the mount can be replaced with our JPA-SM30/1C mount with the JPoint sight mounted with the included hardware included.

THANKS FOR YOUR BUSINESS!

